



Chunghwa Picture Tubes, Ltd. Product Specification

To : 晶華微

Date : 150430

TFT LCD

CLAA104XA12BW

ACCEPTED BY : (V0.0)

APPROVED BY	CHECKED BY	PREPARED BY
Ronald	Herman	Andy

Prepared by :

Automotive/IA Product Planning Management General Division
Product Planning Management & Developing Center
CHUNGHWA PICTURE TUBES, LTD.

1, Huaying RD., Sanho Tsun, Lungtan Shiang, Taoyuan, Taiwan 325, R.O.C.
TEL: +886-3-480-5678 FAX: +886-3-260-7389

Doc.No:	SPEC_CLAA104XA12BW_V0.0_晶華微_150430	Issue Date	2014/04/30
---------	------------------------------------	------------	------------

REVISION STATUS

Revision Notice	Description	Page	Rev. Date
Ver. 0.0	First revision (Tentative)	-	2015/4/30

晶華微 Only Confidential

CONTENTS

1. OVERVIEW	4
2. ABSOLUTE MAXIMUM RATINGS	5
3. ELECTRICAL CHARACTERISTICS	7
3.1 TFT LCD Power Voltage.....	7
3.3 Power 、Signal Sequence.....	8
3.4 BACKLIGHT:.....	9
4. INTERFACE CONNECTION	10
5. INPUT SIGNAL(DE ONLY MODE)	11
5.1 Timing Specification.....	11
5.2 Timing Sequence (Timing Chart)	11
5.2.1 Horizontal Timing Sequence.....	11
5.2.2 Vertical Timing Sequence.....	12
5.2.3 LVDS Input Data Mapping	12
5.3 Color Data Assignment.....	13
6. MECHANICAL DIMENSION	14
6.1 Front Side.....	14
6.2 Rear Side.....	14
7. OPTICAL CHARACTERISTICS	15
8. RELIABILITY TEST	17
8.1. Temperature and Humidity	17
8.2. Shock and Vibration	17
8.3 Electrostatic Discharge	18
8.4. Judgment Standard.....	18
9. WARRANTY	18

1. OVERVIEW

CLAA104XA12BW is 10.4" color TFT-LCD (Thin Film Transistor Liquid Crystal Display) module composed of LCD panel, driver ICs, control circuit, and backlight.

The 10.4" screen produces a high resolution image that is composed of 1024×768 pixel elements in a stripe arrangement. Display 262K colors by 6 Bit R.G.B signal input.

General specification are summarized in the following table :

ITEM	SPECIFICATION
Panel Size	10.4 inch(panel diagonal)
Display Area (mm)	211.2(H)×158.4(V) (10.4-inch diagonal)
Number of Pixels	1024(H) × 3(RGB) × 768(V)
Pixel Pitch (mm)	0.20625 x0. 20625
Color Pixel Arrangement	RGB vertical stripe
Display Mode	Normally white
Number of colors	262,144
Brightness(cd/m ²)	400(typ.)
Response Time (Tr+Tf)	25 ms (typ.)
Module Size (mm)	236(W)×174.3(H)×7.4(D) (with PWB and Component)
Viewin Angle(BL on,CR ≥ 10)	140 degree(H) · 150 degree(V)
Power consumption (W)	4.0W(typ) / 4.3W(max)
BL unit	LED
Electrical Interface(data)	LVDS
Viewing Direction	3 o'clock (Max contrast ratio, Gray Level Inversion)
Weight(g)	385 (g)
Surface Treament	Anti-Glare · Hardness:3H

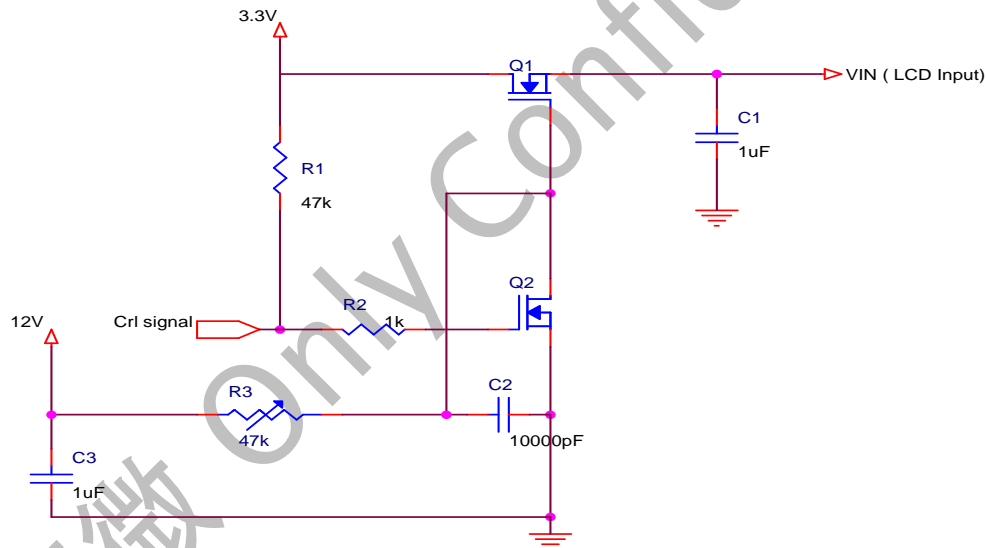
2. ABSOLUTE MAXIMUM RATINGS

The following are maximum values which, if exceeded, may cause faulty operation or damage to the unit.

ITEM	SYMBOL	MIN.	MAX.	UNIT	NOTE
Power Supply Voltage	Vcc	-0.3	4.0	V	
LED Supply Voltage	VLED		10.65	V	
ICC Rush Current	IRUSH	-	1	A	【Note 2】
Operation Temperature	T _{op}	-20	70	°C	【Note 1】
Storage Temperature	T _{stg}	-30	80	°C	【Note 1】
Forward Current (per LED)	I _f		30	mA	
Reverse Voltage (per LED)	VR		5	V	
Pulse forward current (per LED)	I _{fp}		100	mA	【Note 3】

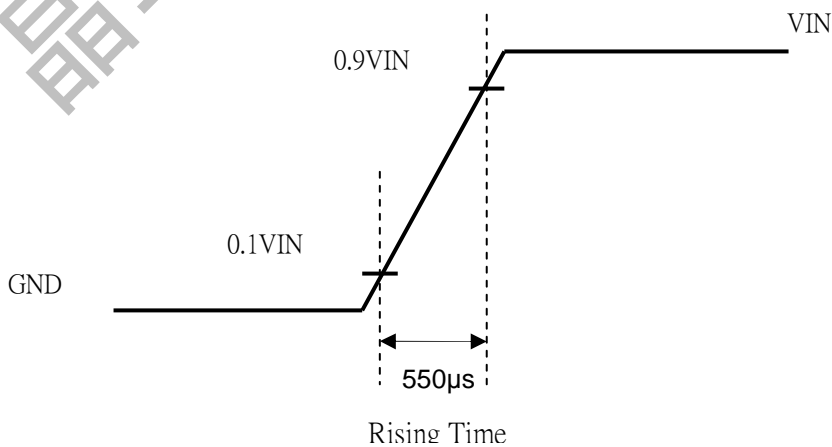
【Note1】 If users use the product out off the environmmt operation range (temperature and humidity,it will concern for visual quality.

【Note2】 The input pulse-current measurement system as below :



Control signal:High(+3.3V)→Low(GND)

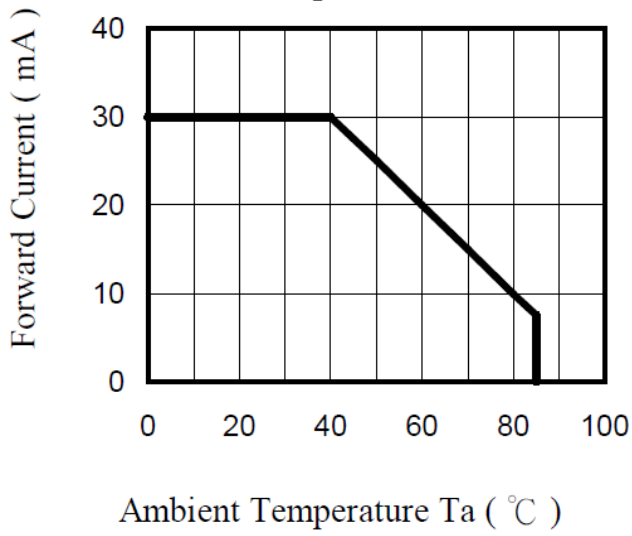
Supply Voltage of rising time should be from R3 and C2 tune to 550 us.



【Note3】 I_{fp} Conditions : Pulse Width ≤ 10msec , Duty ≤ 1/10 ◦

【Note4】 Each one of LED operation must be follow diagram of Ambient Temperature and Allowable Forward Current.

Forward Current vs.
Ambient Temperature



晶華微 Only Confidential

3. ELECTRICAL CHARACTERISTICS

3.1 TFT LCD Power Voltage

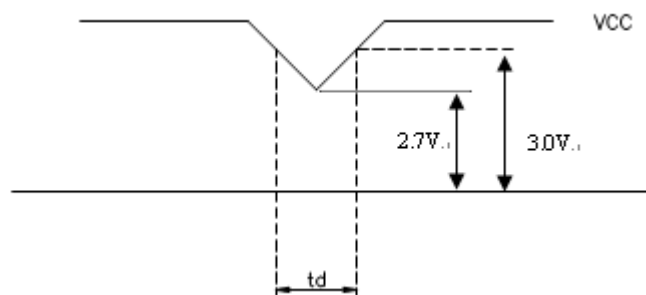
Ta=25°C

ITEM	SYMBOL	MIN.	TYP.	MAX.	UNIT	NOTE	
Power Supply Voltage For LCD	V _{CC}	3.0	3.3	3.6	V	【Note 1】	
Logic Input Voltage (LVDS:IN+,IN-)	Common Mode Voltage	V _{CM}	1.08	1.2	1.32	V	【Note 2】
	Differential Input Voltage	V _{ID}	250	350	450	mV	【Note 2】
	Threshold Voltage(high)	V _{TH}	-	-	100	mV	【Note 2】
	Threshold Voltage(low)	V _{TL}	-100	-	-	mV	【Note 2】

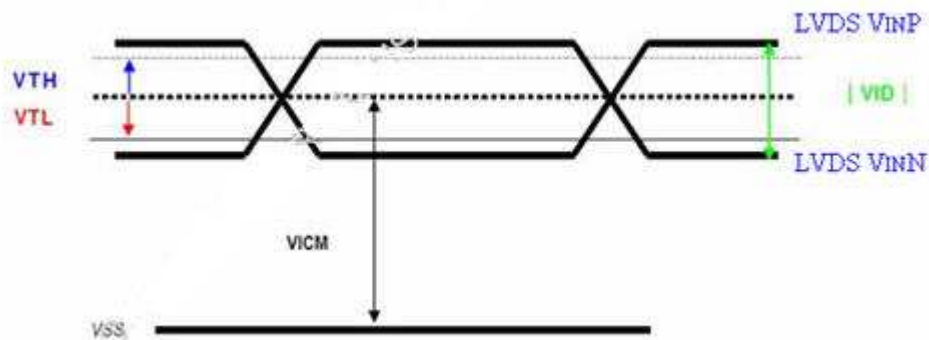
Remarks :

【Note1】 VCC –dip condition:

- 1) When $2.7\text{ V} \leq V_{CC} < 3.0\text{ V}$, $t_d \leq 10\text{ ms}$.
- 2) $V_{CC} > 3.0\text{ V}$, VCC-dip condition should be same as VCC-turn-on condition.



【Note 2】 LVDS signal



3.2 TFT-LCD Current Consumption

ITEM	SYMBOL	MIN.	TYP.	MAX.	UNIT	NOTE
LCD Power Current	I_{CC}	--	450	500	mA	【Note1】

【Note1】 (Frame rate = 60 Hz)

Typical: Under 64 gray pattern @ $V_{CC} = 3.3\text{ V}$

Maximum: Under black pattern @ $V_{CC} = 3.0\text{ V}$

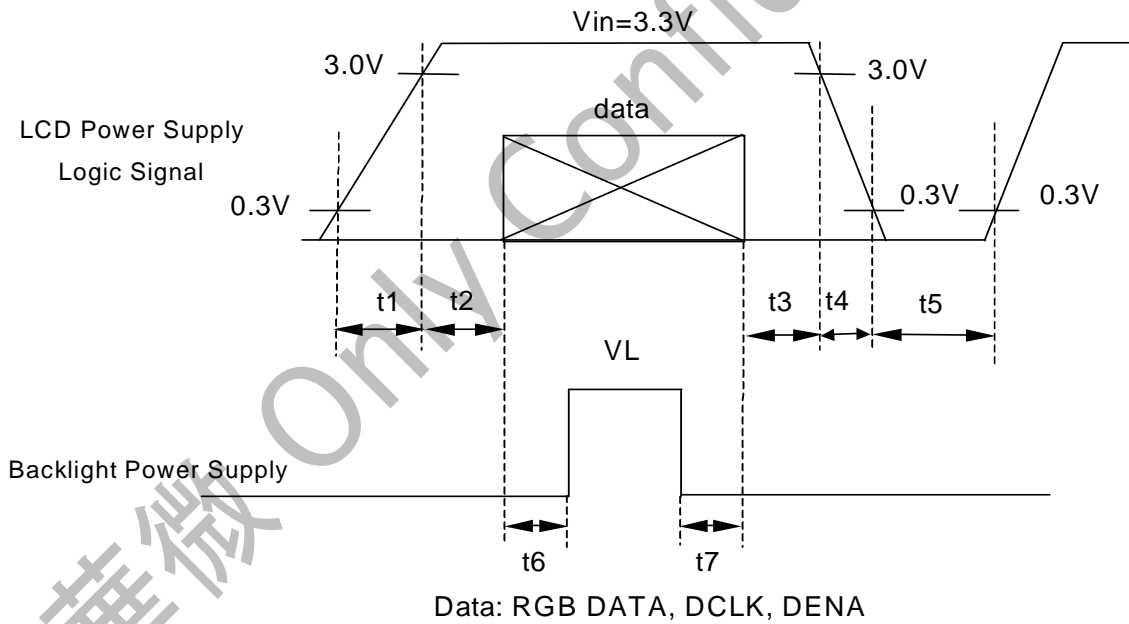


(a) 64 Gray Pattern



(b) Black Pattern

3.3 Power & Signal Sequence



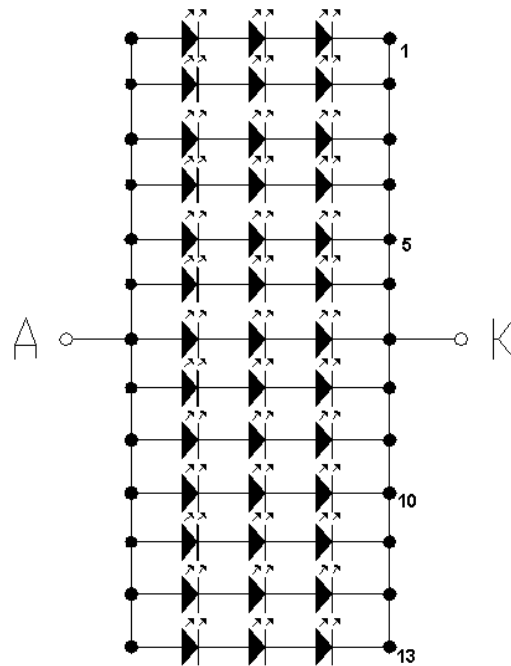
- $0.5 < t_1 \leq 10\text{ms}$
- $0 < t_2 \leq 50\text{ms}$
- $0 < t_3 \leq 50\text{ms}$
- $0 < t_4 \leq 10\text{ms}$
- $200\text{ms} \leq t_5$
- $200\text{ms} \leq t_6$
- $200\text{ms} \leq t_7$

3.4 BACKLIGHT:

ITEM	SYMBOL	CONDITION	MIN	TYP	MAX	UNIT	REMARKS
LED Current	IL	Ta=25°C (20mA/serise)	--	260	--	mA	Note 1,2
LED Voltage	VL	Ta=25°C (20mA/serise)	8.44	9.6	10.8	V	Note 1,2
Power Consumption	WL	Ta=25°C (20mA/serise)	--	2.496	2.769	W	Note 1,2
LED Lifetime	-	Ta=25°C IF=20mA	30000	-	-	Hr	Note 3,4,5

Remarks :

*1)LED Circuit Diagram :



*2) A : Anode(+) · K : Cathode(-)

*3) Suggestion: Using the constant current control to avoid the leakage light and brightness quality issue.

*4) DEFINITION OF LED LIFETIME : LUMINANCE < INITIAL LUMINANCE 50%

4. INTERFACE CONNECTION

LCD connector (30pin) : STM · P/N : MSBK2407P30D or other of the same class

Pin No.	SYMBOL	FUNCTION
1	GND	Ground
2	V _{CC}	+3.3V Power
3	V _{CC}	+3.3V Power
4	NC	NC
5	NC	NC
6	NC	NC
7	GND	GND
8	RXIN0-	LVDS Signal(-)—channel 0
9	RXIN0+	LVDS Signal(+)—channel 0
10	GND	Ground
11	RXIN1-	LVDS Signal(-)—channel 1
12	RXIN1+	LVDS Signal(+)—channel 1
13	GND	Ground
14	RXIN2-	LVDS Signal(-)—channel 2
15	RXIN2+	LVDS Signal(+)—channel 2
16	GND	Ground
17	RXCLKIN-	LVDS Clock Signal(-)
18	RXCLKIN+	LVDS Clock Signal(+)
19	GND	Ground
20	NC	NC
21	NC	NC
22	GND	Ground
23	GND	Ground
24	NC	NC
25	NC	NC
26	NC	NC
27	NC	NC
28	NC	NC
29	NC	NC
30	NC	NC

【Note】

- 1) GND Pin must be connected to ground. Don't be floating.
- 2) NC Pin must be floating.

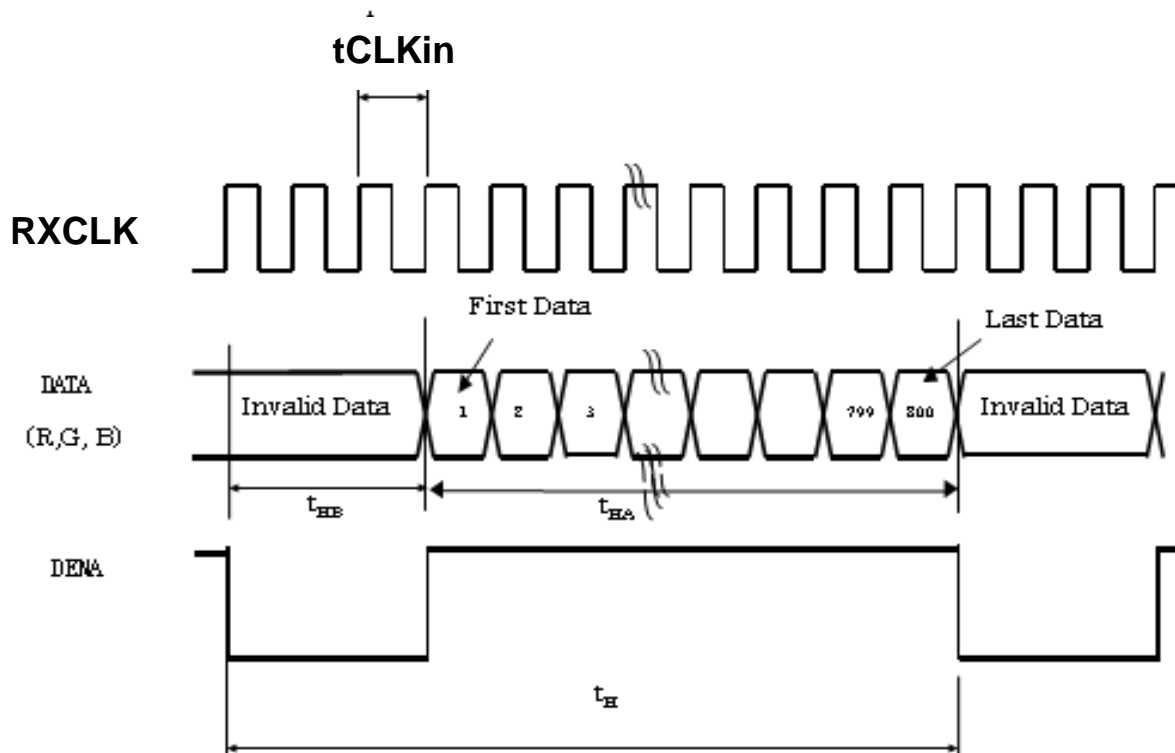
5. INPUT SIGNAL(DE ONLY MODE)

5.1 Timing Specification

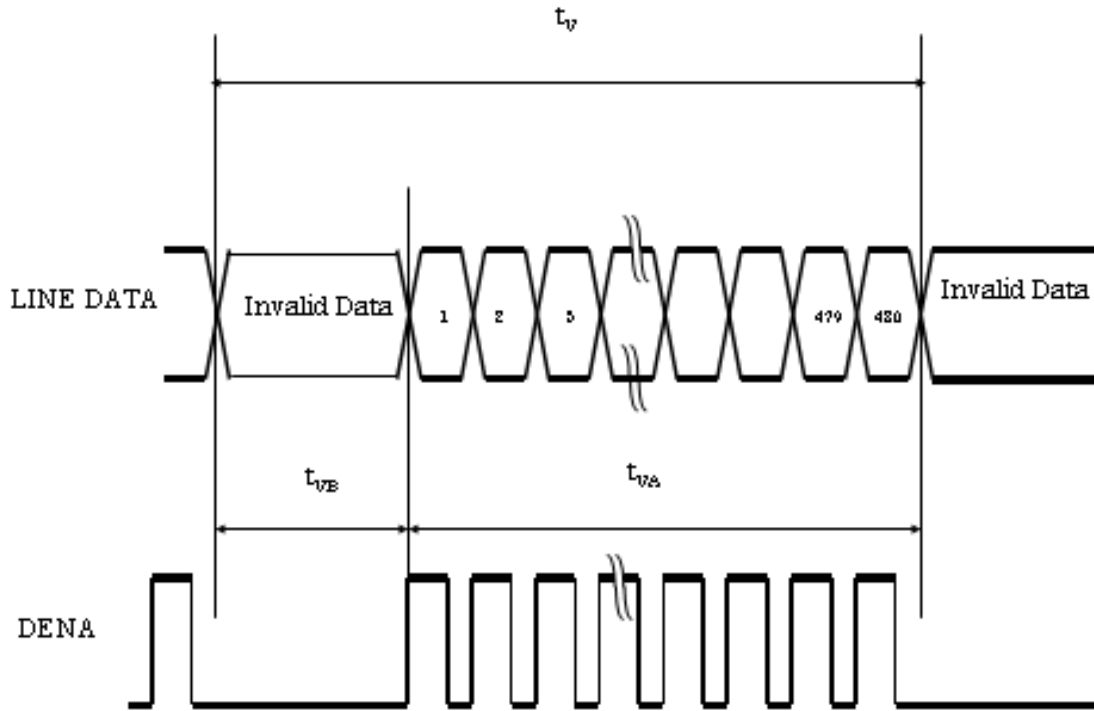
ITEM		SYMBOL	MIN.	TYP.	MAX.	UNIT	
LVDS input signal sequence	CLK Frequency		fCLKin	51	65	71	MHz
LCD input timing	Horizontal	Horizontal Period	t_H	1160	1344	1350	tCLK
		Horizontal Valid	t_{HA}	1024			tCLK
		Horizontal Blank	t_{HB}	136	320	326	tCLK
	Vertical	Frame	fV	55	60	65	Hz
		Vertical Period	t_V	790	806	810	t_H
		Vertical Valid	t_{VA}	768			t_H
	Vertical Blank	t_{VB}	22	38	42	t_H	

5.2 Timing Sequence (Timing Chart)

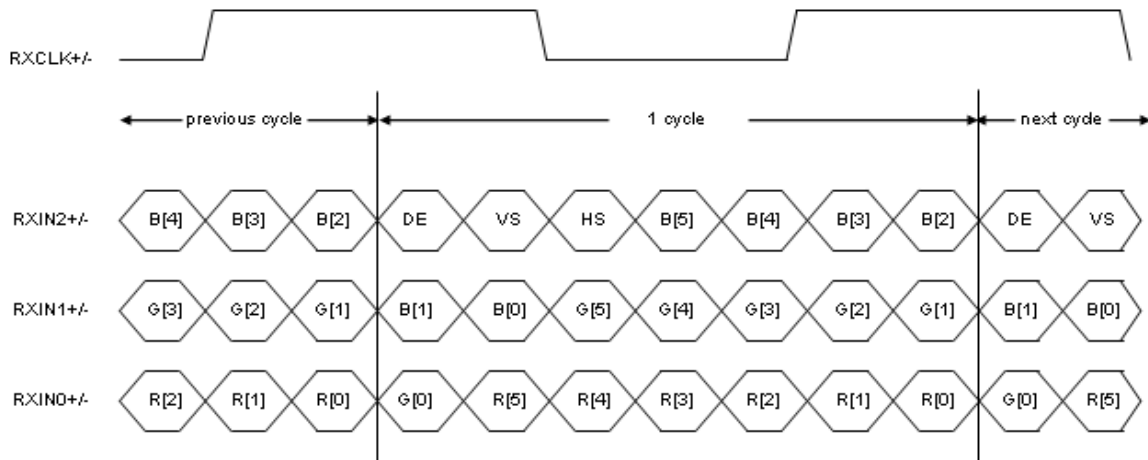
5.2.1 Horizontal Timing Sequence



5.2.2 Vertical Timing Sequence



5.2.3 LVDS Input Data Mapping



5.3 Color Data Assignment

COLOR	INPUT	R DATA						G DATA						B DATA					
	DATA	R5	R4	R3	R2	R1	R0	G5	G4	G3	G2	G1	G0	B5	B4	B3	B2	B1	B0
		MSB					LSB	MSB					LSB	MSB					LSB
BASIC COLOR	BLACK	0	0	0	0	0	0	0	0	0	0	0	0	0	0	0	0	0	0
	RED(63)	1	1	1	1	1	1	0	0	0	0	0	0	0	0	0	0	0	0
	GREEN(63)	0	0	0	0	0	0	1	1	1	1	1	1	0	0	0	0	0	0
	BLUE(63)	0	0	0	0	0	0	0	0	0	0	0	0	1	1	1	1	1	1
	CYAN	0	0	0	0	0	0	1	1	1	1	1	1	1	1	1	1	1	1
	MAGENTA	1	1	1	1	1	1	0	0	0	0	0	0	1	1	1	1	1	1
	YELLOW	1	1	1	1	1	1	1	1	1	1	1	1	0	0	0	0	0	0
	WHITE	1	1	1	1	1	1	1	1	1	1	1	1	1	1	1	1	1	1
RED	RED(0)	0	0	0	0	0	0	0	0	0	0	0	0	0	0	0	0	0	0
	RED(1)	0	0	0	0	0	1	0	0	0	0	0	0	0	0	0	0	0	0
	RED(2)	0	0	0	0	1	0	0	0	0	0	0	0	0	0	0	0	0	0
	RED(62)	1	1	1	1	1	0	0	0	0	0	0	0	0	0	0	0	0	0
	RED(63)	1	1	1	1	1	1	0	0	0	0	0	0	0	0	0	0	0	0
GREEN	GREEN(0)	0	0	0	0	0	0	0	0	0	0	0	0	0	0	0	0	0	0
	GREEN(1)	0	0	0	0	0	0	0	0	0	0	0	1	0	0	0	0	0	0
	GREEN(2)	0	0	0	0	0	0	0	0	0	0	1	0	0	0	0	0	0	0
	GREEN(62)	0	0	0	0	0	0	1	1	1	1	1	0	0	0	0	0	0	0
	GREEN(63)	0	0	0	0	0	0	1	1	1	1	1	1	0	0	0	0	0	0
BLUE	BLUE(0)	0	0	0	0	0	0	0	0	0	0	0	0	0	0	0	0	0	0
	BLUE(1)	0	0	0	0	0	0	0	0	0	0	0	0	0	0	0	0	0	1
	BLUE(2)	0	0	0	0	0	0	0	0	0	0	0	0	0	0	0	0	1	0
	BLUE(62)	0	0	0	0	0	0	0	0	0	0	0	0	1	1	1	1	1	0
BLUE(63)	0	0	0	0	0	0	0	0	0	0	0	0	1	1	1	1	1	1	

【Note1】 Definition of Gray Scale

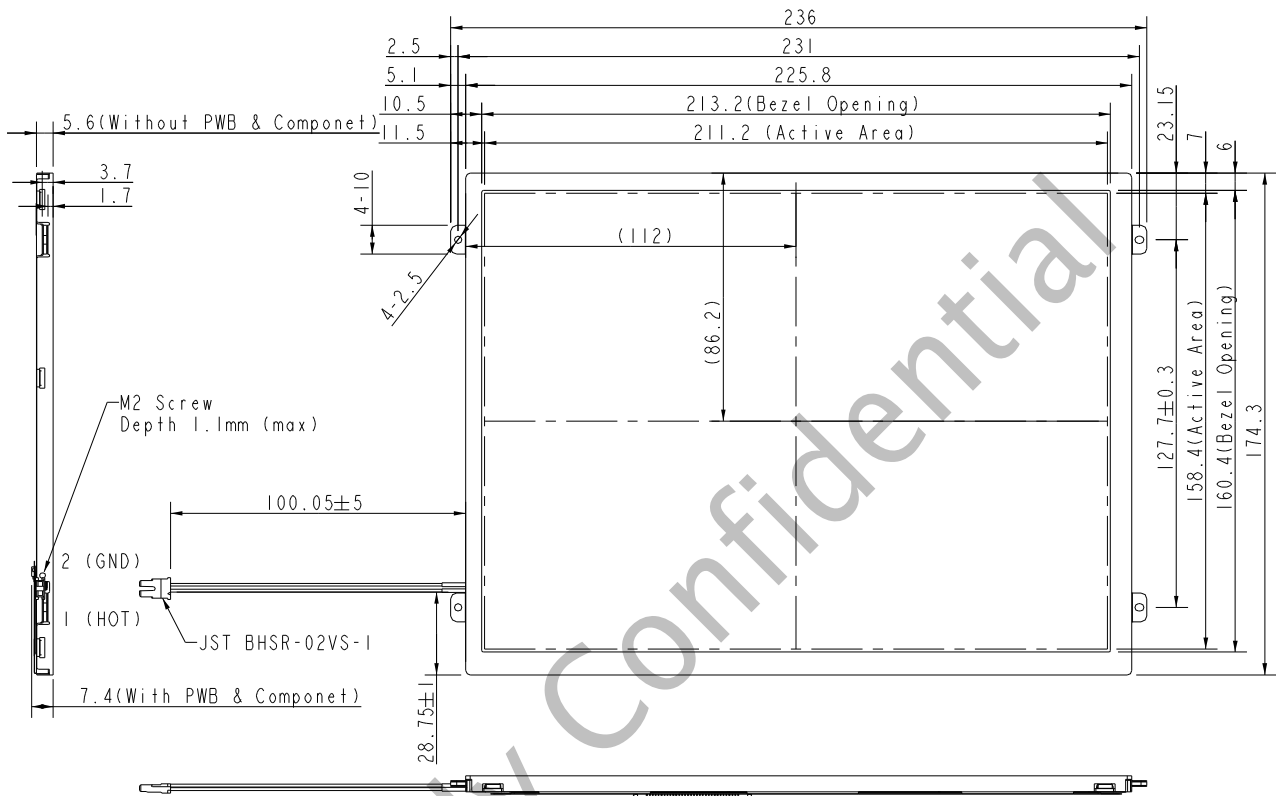
color(n) : (n) means the level of gray scale, the larger (n) means the brighter level.

【Note2】 Data:1-High,0-Low

6. MECHANICAL DIMENSION

6.1 Front Side

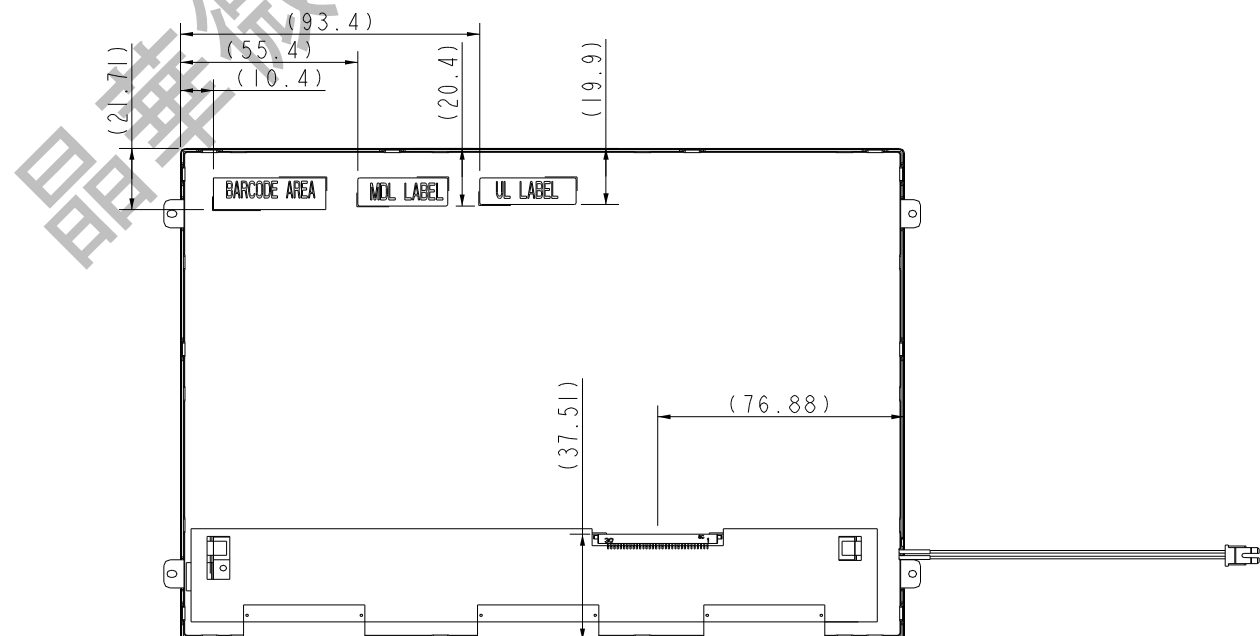
[Unit : mm]



[Note] : Tolerance is $\pm 0.3\text{mm}$ unless noted

6.2 Rear Side

[Unit : mm]



[Note] : Tolerance is $\pm 0.3\text{mm}$ unless noted

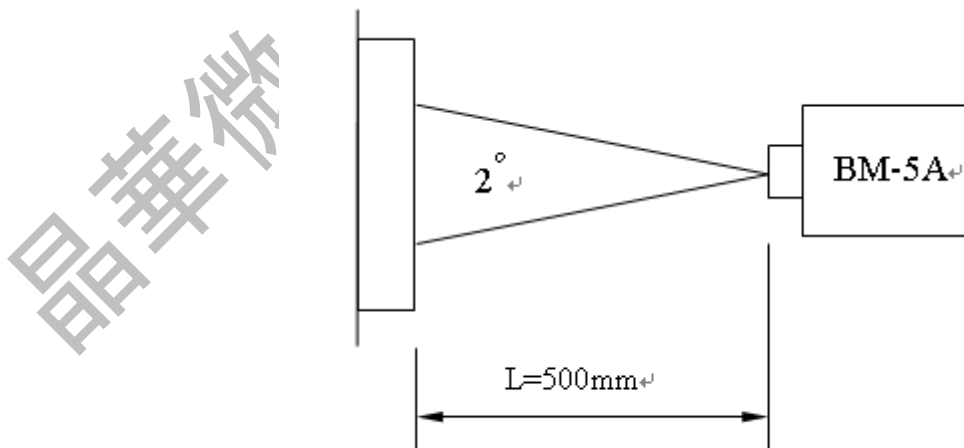
7. OPTICAL CHARACTERISTICS

Ta = 25°C, V_{CC} = 3.3V

ITEM	SYMBOL	CONDITION	MIN.	TYP.	MAX.	UNIT	NOTE	
Contrast Ratio	CR	Point-5	400	500	--	--	*1)*2)*3)	
Luminance*)	Lw	Point-5	320	400	--	cd/m ²	*1)*3)	
Luminance Uniformity	ΔL		70	80		%	*1)*3)	
Response Time (White - Black)	Tr+ Tf	Point-5		25	40	ms	*1)*3)*5)	
Viewing Angle	Left	Deg.	Point-5 CR ≥ 10	50	60		*1)*2)*4)	
	Right	Deg.		70	80		*1)*2)*4)	
	Upper	Deg.		65	75		*1)*2)*4)	
	Lower	Deg.		65	75		*1)*2)*4)	
NTSC			42	47	--	%		
Color Coordinate	White	Wx Wy	θ = φ = 0° Point-5	0.273	0.313	0.353	--	*1)*3)
				0.289	0.329	0.369		
	Red	Rx Ry		0.528	0.568	0.608		
				0.287	0.327	0.367		
Green	Gx Gy	0.308	0.348	0.388				
		0.533	0.573	0.613				
Blue	Bx By	0.120	0.160	0.200				
		0.064	0.104	0.144				

NOTE :

*1) Measure condition : 25°C ± 2°C , 60 ± 10%RH , under 10 Lux in the dark room. BM-5A (TOPCON) , viewing angle 2° , IL = 260mA , after 10 minutes operation.



*2) Definition of contrast ratio :

Contrast Ratio (CR) = (White) Luminance of ON ÷ (Black) Luminance of OFF

- *3) Definition of luminance : Measure white luminance on the point 5 as figure7-1
 Definition of Luminance Uniformity: Measure white luminance on the point1~9 as figure7-1

$$\Delta L = [L(\text{MIN})/L(\text{MAX})] \times 100$$

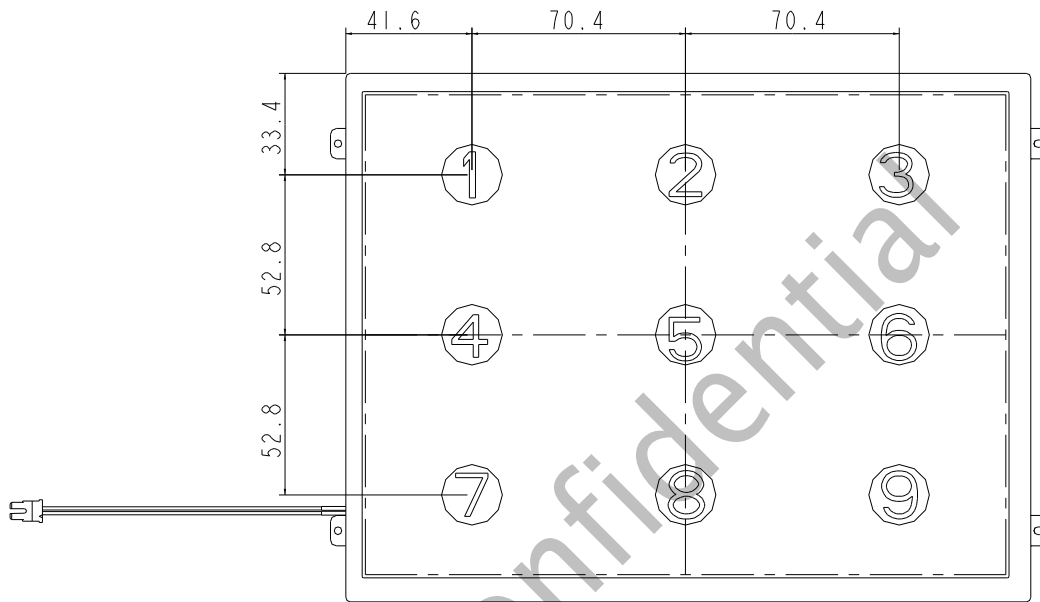


Fig7-1 Measuring point

- *4) Definition of Viewing Angle(θ, ψ), refer to Fig7-2 as below :
 These items are measured by EZ-CONTRAST (ELDIM) in the dark room. (no ambient light).

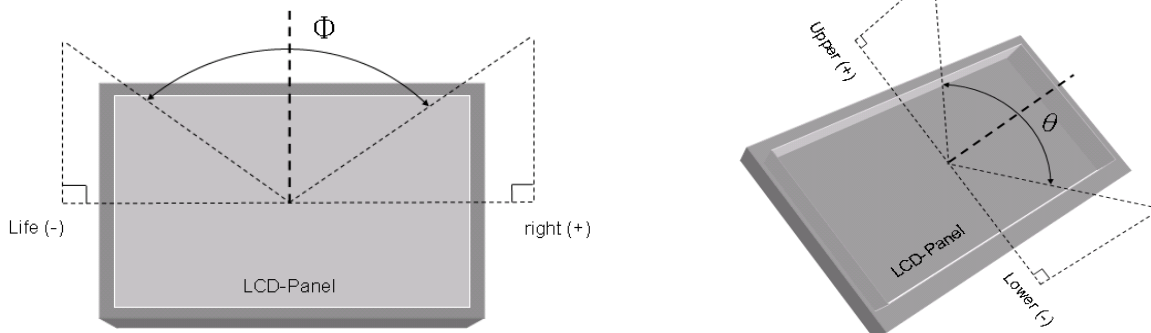


Fig8-2 Definition of Viewing Angle

- *5) Definition of Response Time.(White-Black)

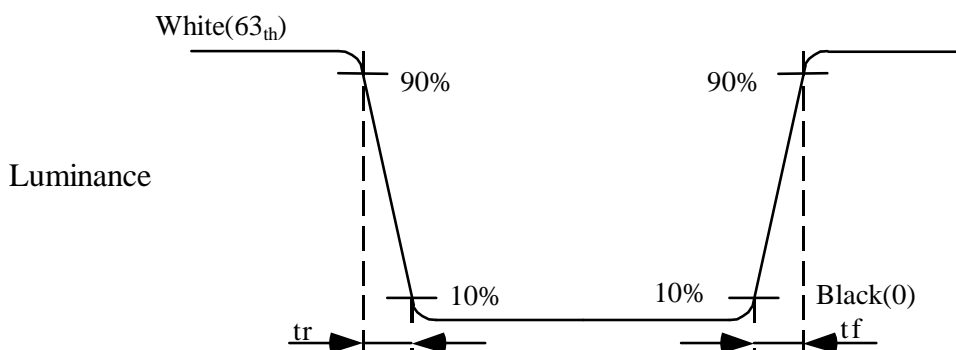


Fig8-3 Definition of Response Time(White-Black)

8. RELIABILITY TEST

8.1. Temperature and Humidity

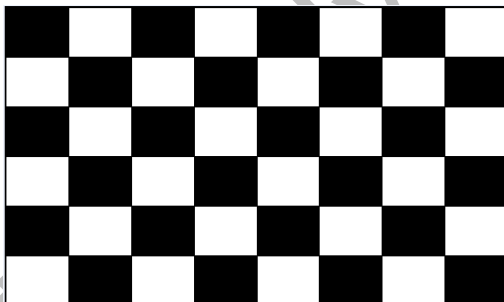
TEST ITEMS	CONDITIONS	NOTE
High Temperature Operation	70°C , 240Hrs	
High Temperature Storage	80°C , 240Hrs	
High Temperature High Humidity Operation	60°C , 90%RH , 240Hrs	No condensation
Low Temperature Operation	-20°C , 240Hrs	
Low Temperature Storage	-30°C , 240Hrs	
Thermal Shock	-30°C (0.5Hr) ~ 80°C(0.5Hr) 200 cycles	
Image Sticking	25°C ; 4hrs	
MTBF	20,000hrs	

[Note] :

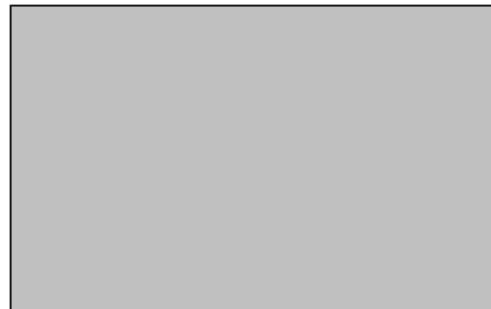
Condition of Image Sticking test : 25 °C ± 2 °C

Operation with test pattern sustained for 4 hrs, then change to gray pattern immediately.

After 5 mins, the mura must be disappeared completely .



(a) Test Pattern (chess board Pattern)



(b) Gray Pattern

8.2. Shock and Vibration

TEST ITEMS	CONDITIONS
Shock (Non-operation)	<ul style="list-style-type: none"> ● Shock level:980m/s²(equal to 100G) ● Waveform:half sinusoidal wave,6ms. ● Number of shocks:one shock input in each direction of three mutually perpendicular axes for a total of three shock inputs.
Vibration (Non-operation)	<ul style="list-style-type: none"> ● Frequency range:8~33.3Hz ● Stroke:1.3mm ● Vibration:sinusoidal wave,perpendicularaxis(both x, z axis:2Hrs, y axis 4Hrs). ● Sweep:2.9G,33.3Hz-400Hz ● Cycle:15min

8.3 Electrostatic Discharge

ITEM	CONDITION	NOTE
ESD	150pF , 330Ω , ±8kV&±15kV air & contact test	*1)
	200pF , 0Ω , ±200V contact test	*2)

Note: Measure

- 1: LCD glass and metal bezel
- 2: IF connector pins

8.4. Judgment Standard

The Judgment of the above test should be made as follow :

Pass : Normal display image with no line defect.

Fail : No display image, or line defects.

9. WARRANTY

9.1 The period is within 12 months since the date of shipping out under normal using and storage conditions.

9.2 The warranty will be avoided in case of defect induced by customer.